

**WALL CABINETS**

- 1 Solid Wood Face Frame**  
1 3/4" x 3/4" doweled,  
glued and stapled;  
Center stile is 3 1/2" x 3/4"  
solid wood
- 2 Particleboard End Panels 1/2"**  
with natural birch laminated  
and matching woodgrain  
laminate exterior
- 3 Hanging Rail 1/2"**
- 4 Interior**  
natural birch laminated interior
- 5 Hanging Rails 1/2"**
- 6 1/2" Particleboard Top**  
natural birch laminate interior
- 7 Laminated Hardboard Back**  
1/8" reinforced with 3" x 1/2"  
hanging rails
- 8 Adjustable Shelves**  
3/4" thick, laminated  
particleboard shelves
- 9 1/2" Particleboard Bottom**  
natural birch laminate interior

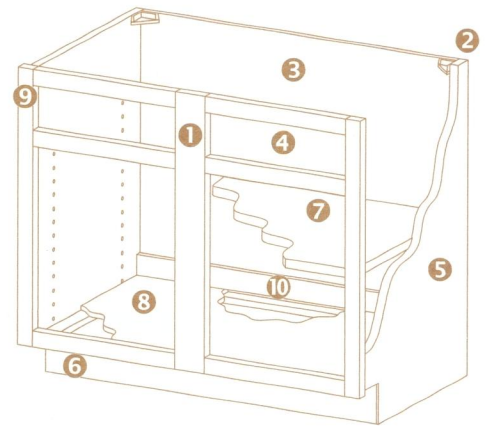
**Tops and Bottoms**

Dadoed, glued and stapled to end panels, hanging rails & face frames



**BASE CABINETS**

- 1 Center Stiles**  
3 1/2" x 3/4" solid wood
- 2 Plastic Corner Braces**
- 3 Hanging Rail 1/2"**
- 4 Laminated Hardboard Back**  
1/8" reinforced with 3" x 1/2"  
hanging rails
- 5 Particleboard Endpanels 1/2"**  
with natural birch laminated  
interior and matching woodgrain  
laminate exterior
- 6 Unfinished Particleboard Toeboard**  
4 1/2" x 3/4"
- 7 Adjustable Shelves**  
3/4" thick, laminated particleboard  
half-depth shelves
- 8 1/2" Particleboard Bottom**  
natural birch laminated interior
- 9 Solid Wood Face Frame**  
1 3/4" x 3/4" doweled,  
glued and stapled
- 10 Hanging rail 1/2"**



**STANDARD DRAWER**

- 1 Standard Drawers:**  
1/2" industrial grade particleboard  
with natural birch laminate.

